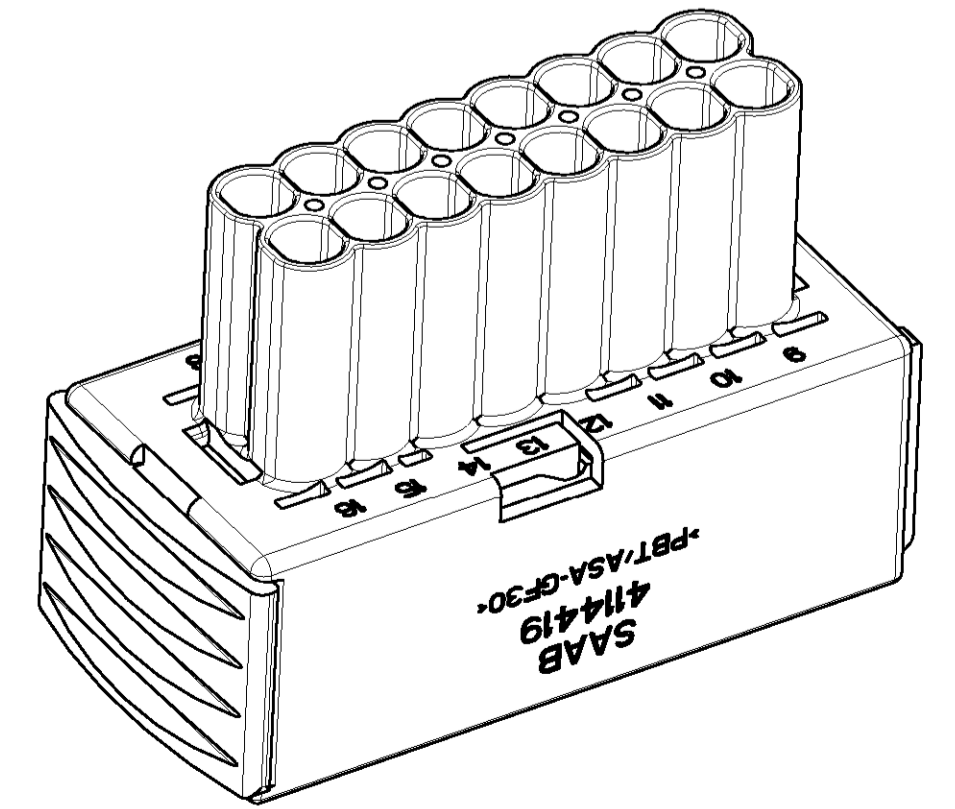


NOTES :

- 1 Au-VERSION OF CONTACT IS 1-xxxxxx-1
Au-Version des Kontaktes ist 1-xxxxxx-1
- 2 WATER TIGHTNESS ACC. GMI 12590; 5.10.3
FURTHER INFORMATIONS SEE PRODUCT SPECIFICATION 108-18102-1/...-9
Wasserdichtheit nach GMI 12590; 5.10.3
Weitere Informationen siehe Produktspezifikation 108-18102-1/...-9
- 3 Einfall bis auf 23.5mm zulässig
SHRINKAGE UP TO 23.5MM ALLOWED

JPT	ORDER-NO. STRIP	WIRE SIZE (mm ²)	MATERIAL	FINISH	SINGLE WIRE SEAL	COLOR	WATER-TIGHTNESS
JPT	0-0929937-1	1.5 - 2.5	CuFe 2	TINNED	0-0828905-1	WHITE	IPX 9K
JPT	0-0929939-1	0.75 - 1.0	CuFe 2	TINNED	0-0828904-1	LIGHT BLUE	IPX 9K
JPT	0-0929939-1	0.5	CuFe 2	TINNED	0-0963294-1	BLUE	IPX 9K
JPT	0-0929941-1	0.35	CuFe 2	TINNED	0-0963294-1	BLUE	IPX 9K



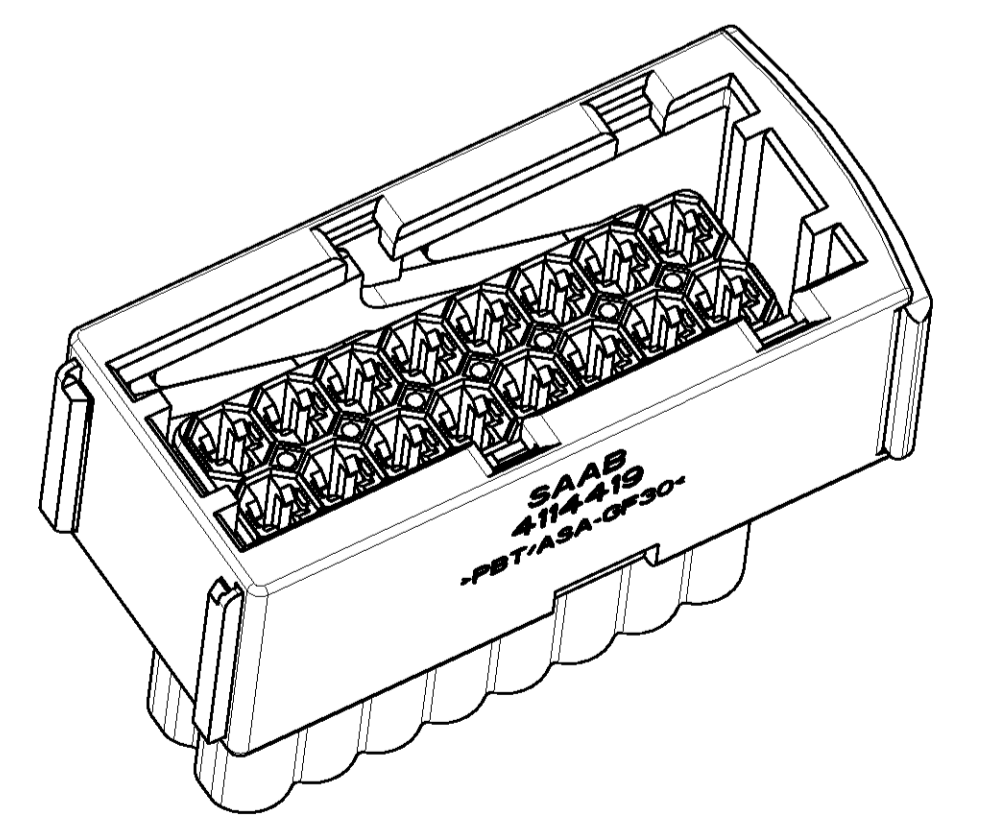
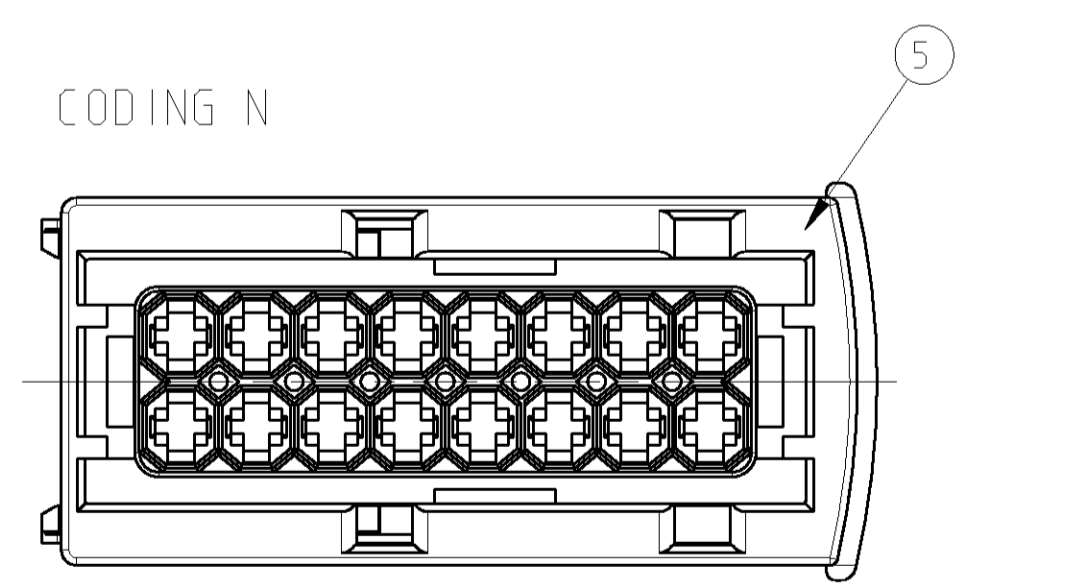
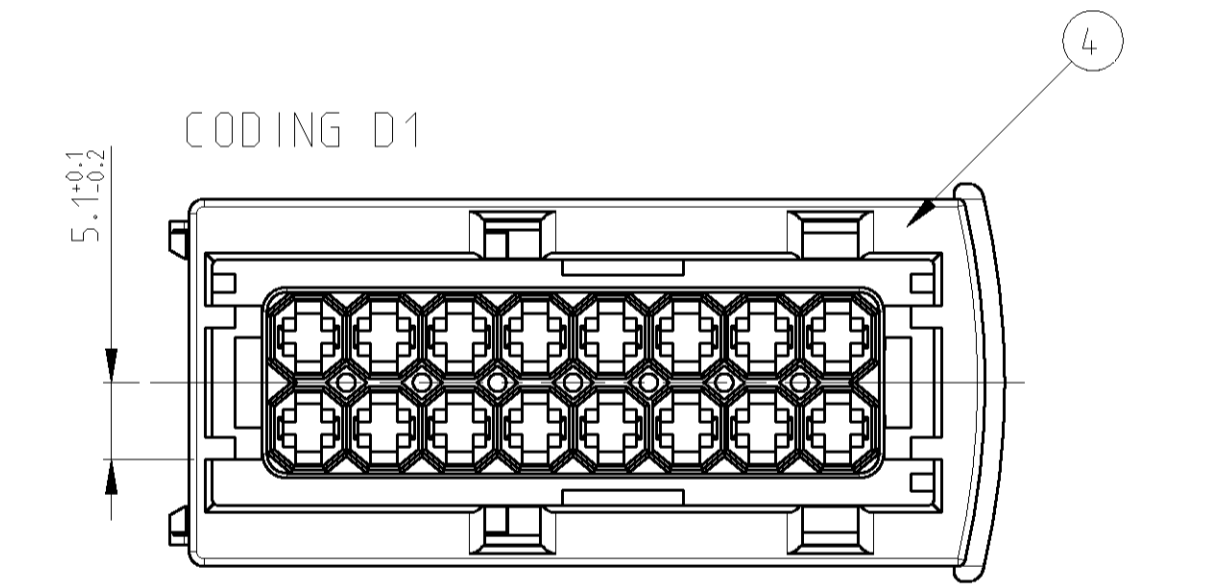
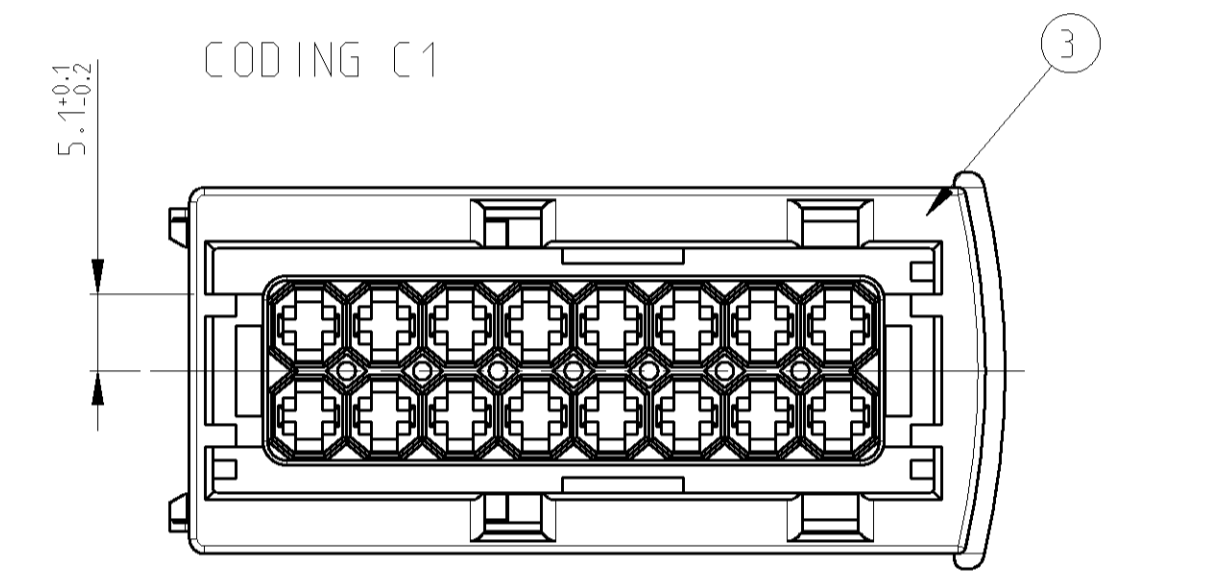
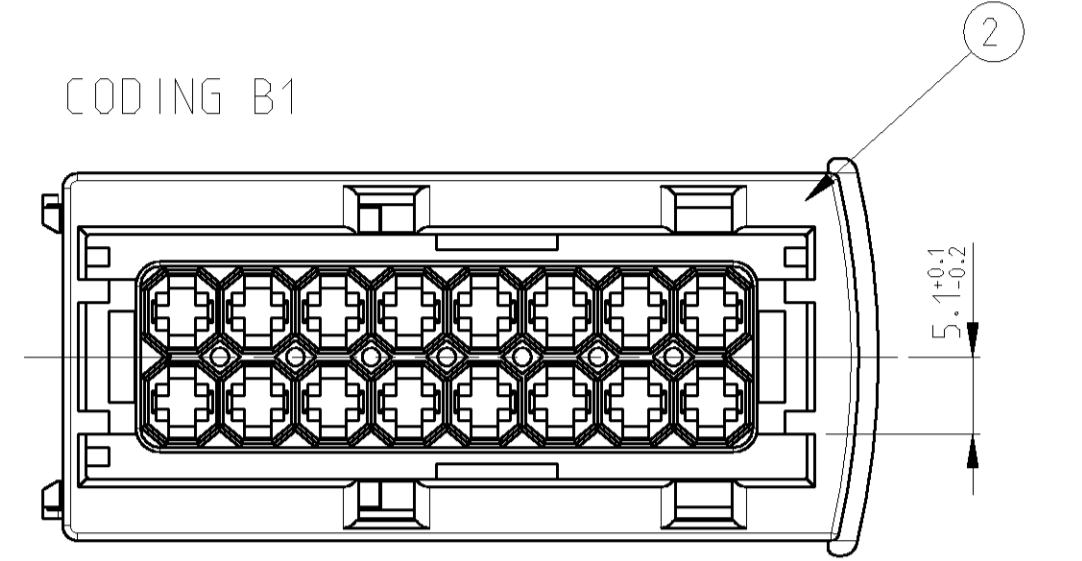
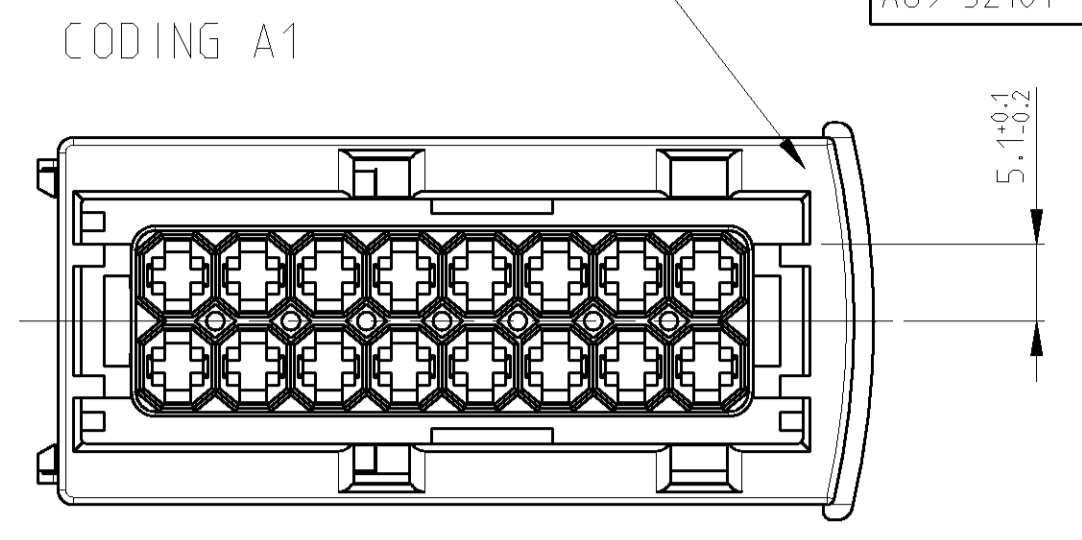
2:1

CUSTOMER PART NO.	GM SIGN	PART NO.	REV.	PCS	MATERIAL	COLOR	DESCRIPTION	ITEM NO.
4114401		5-963217-1 CODING N	E	1	PBT/ASA-GF30	RED	SLIDE	6
4114443		4-963217-1 CODING D1	E	1	PBT/ASA-GF30	WHITE	JPT HSG., 16POS.	5
4114435		3-963217-1 CODING C1	E	1	PBT/ASA-GF30	RED	SLIDE	6
4114427		2-963217-1 CODING B1	F	1	PBT/ASA-GF30	BLUE	JPT HSG., 16POS.	3
4114419	ZFW 16-2	1-963217-1 CODING A1	F	1	PBT/ASA-GF30	RED	SLIDE	6
				1	PBT/ASA-GF30	BLACK	JPT HSG., 16POS.	1

LOC	DIST	REV	DATE	DRN	APVD
A1	-	F3	28APR11	RK	HMR

PROJECT-NO.:
A89-52101

REV	DESCRIPTION	DATE	DRN	APVD
F3	REVISED PER ECO-11-005150	28APR11	RK	HMR



2:1

DIMENSIONS:	TOLERANCES UNLESS OTHERWISE SPECIFIED:
mm	0 PLC #
	1 PLC #0.3
	2 PLC #0.3
	3 PLC #0.3
	4 PLC #0.3
	ANGLES
MATERIAL	FINISH

DRN	29-MAR-1999	NAME	JPT REC-HOUSING . 16POS.. ASSY
ENR	S. GARCIA	PRODUCT SPEC	JPT Buchsengehäuse. 16pol..Assy
APVD	W. STABROTH	APPLICATION SPEC	
		WEIGHT	114-18175
		CUSTOMER DRAWING	00779
		SCALE	2:1
		SHEET	1 OF 1
		REV	F3

